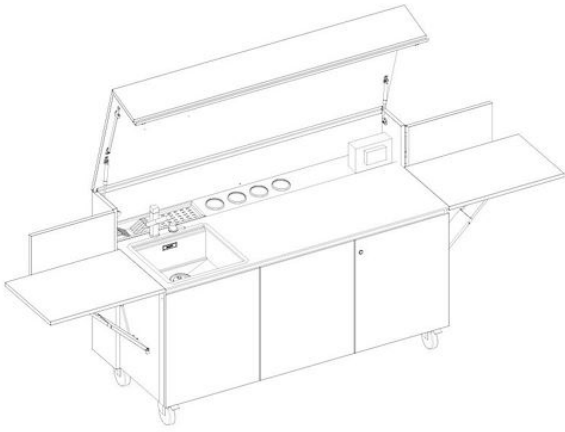


## Finalmente bed and breakfast cooking station

Ranges

Code: 7555 003



### DETAILS

Material Stainless steel AISI 316

---

Texture Satin

---

Dimensions (open) 327 x 78 x (h)178 cm

---

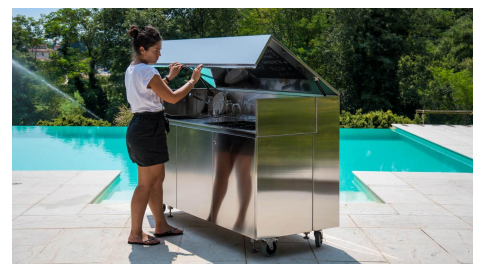
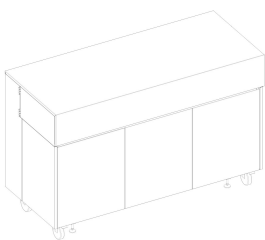
Dimensions (closed) 185 x 78 x (h)115 cm

---

Weight 285 kg

---

### GALLERY



## OPTIONAL ACCESSORIES



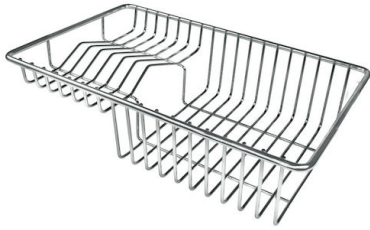
**Black Grid**  
8100 600



**Chopping Board**  
8642 000



**Chopping Board**  
8631 300



**Stainless Steel dishes holder**  
8100 303

\* only in combination with the accessory  
8644 101



**Twin Chopping Board**  
8644 101